

13. You can rearrange the order of the core rings and key teeth to create a padlock that only you can open! To do so, unscrew the bottom cover of the padlock and take out the core. Remove the core rings from the core and key teeth from the key body. Then rearrange the core rings and key teeth to match. There are shapes (●■▲) on the rings and the teeth to help you match them up. If the rings and teeth don't match, the key won't unlock the padlock. Begin with these two combinations as examples.

D. TROUBLE SHOOTING

If the key cannot open the lock:

- Make sure you are inserting the key all the way into the lock before turning the key.
- Check that the order of the core rings matches the order of the teeth on the key.
- Remove the bottom and top covers and make sure that all the springs are in place and that all the parts are moving freely.

E. HOW IT WORKS

When you close the padlock the end of the bar lock catches in the slot in the short end of the shackle, locking the shackle in place. Without the key in the lock, the three core pins interconnect with the three core rings, preventing the core from rotating. When you insert the key, the teeth on the key push the core pins outwards so that their ends line with the outer edges of the core locks. This frees the core so that you can turn it with the key. Turning the core lock pulls back the bar lock, releasing the U-shaped bar, which is then pushed upwards by its spring.

F. FUN FACTS

- Historians have discovered that padlocks were used over two thousand years ago in Ancient Rome, and not long afterwards in China.
- In Ancient Rome, keys were very elaborate, with carvings of lions, horses or other animals decorating their handles.
- In Ancient Egypt keys were a sign of wealth – only rich people could afford things that needed to be locked away!
- Magician Harry Houdini was a locksmith (a person who makes locks and keys) before becoming a famous escape artist.
- Padlock icons are used symbol for locked or unlocked operations on computers.
- In the movies we often see people opening padlocks with hair pins, but that's almost impossible to do!
- Electronic padlocks have electronic circuits inside that release the shackle when a matching electronic key is inserted into the lock.
- Biometric locks are unlocked by fingerprints or iris patterns.

GIANT VISIBLE PADLOCK

PLEASE SCAN THE QR CODE FOR VIEWING MULTI-LANGUAGE INSTRUCTIONS.



FR. Veuillez scanner le code QR pour afficher les instructions multilingues pour ce kit. DE. Bitte scanne den QR-Code, um die mehrsprachige Anleitung für dieses Set anzusehen. NL. Scan de QR-code om de instructies voor deze set in verschillende talen te bekijken. IT. Scansiona il codice QR per visualizzare le istruzioni multi-lingua per questo kit. ES. Escanee el código QR para ver instrucciones en varios idiomas para este kit. JA. QRコードをスキャンして、本キットの多言語説明書をご覧ください。

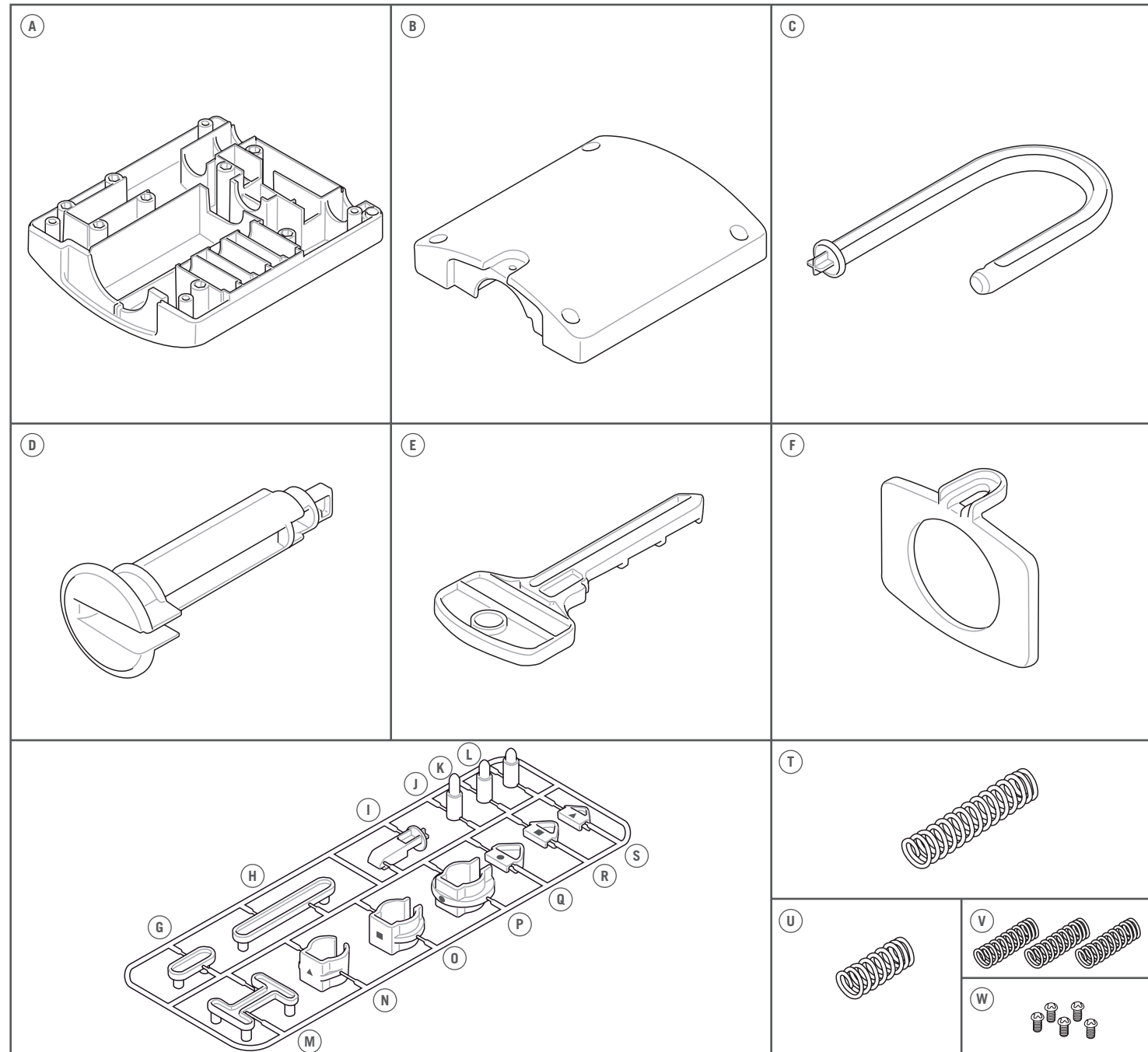
WARNING:
CHOKING HAZARD - Small parts.
Not for children under 3 years.

TO PARENTS: PLEASE READ THROUGH THESE INSTRUCTIONS BEFORE PROVIDING GUIDANCE TO YOUR CHILDREN.

A. SAFETY MESSAGES

1. Please read through all the instructions and keep them since they contain important information.
2. Adult assistance and supervision are required.
3. This kit is intended for children aged over 5.
4. This kit and its finished product contain small parts which may cause choking if misused. Keep away from children under 3 years old.

B. CONTENTS

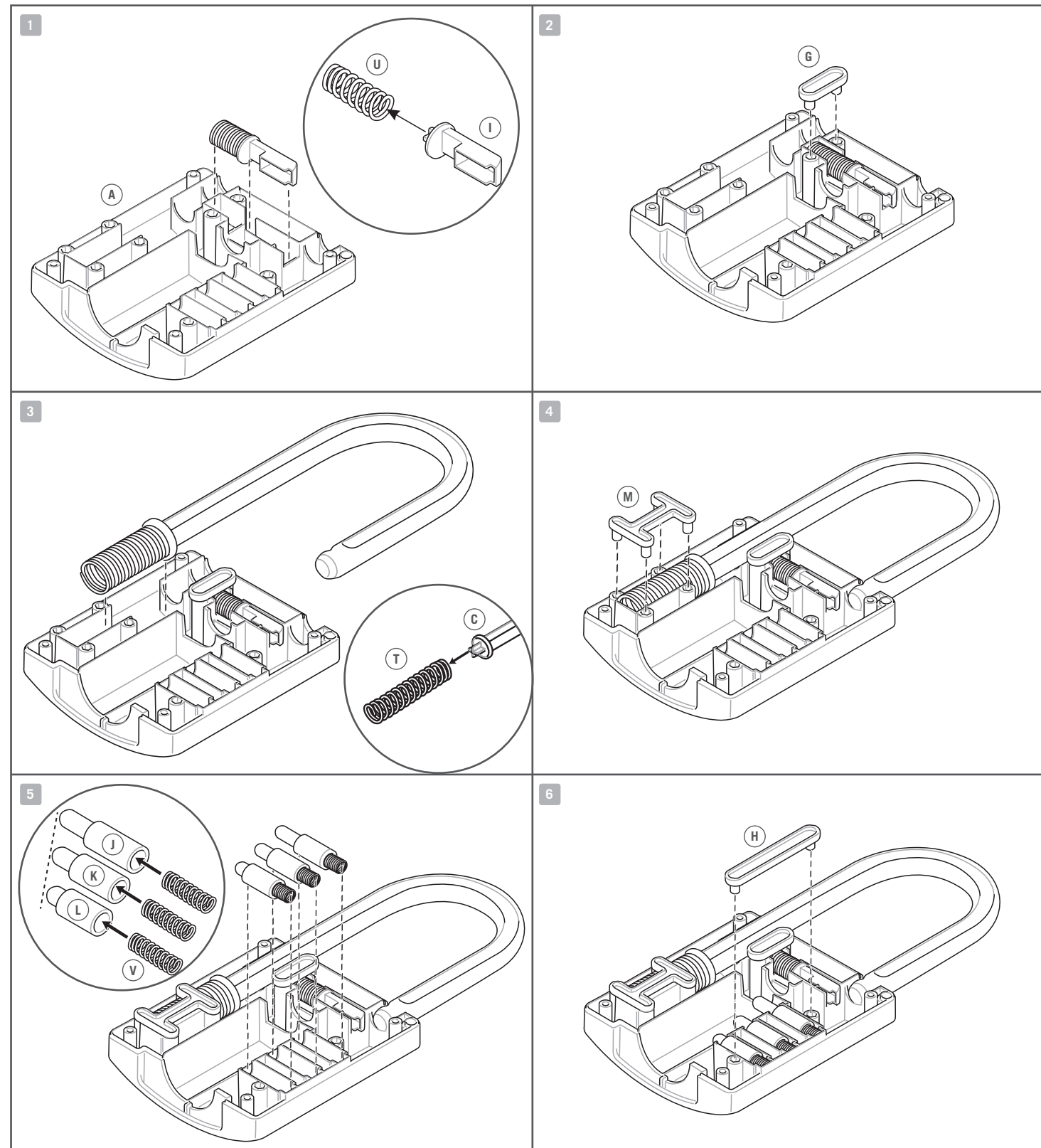


Part A: Back cover, Part B: Front cover, Part C: Shackle, Part D: Core, Part E: Key body, Part F: Bottom cover, Part G: Short cover, Part H: Long cover, Part I: Bar lock, Part J: Long core pin, Part K: Medium core pin, Part L: Short core pin, Part M: H shaped cover, Part N: Small core ring, Part O: Medium core ring, Part P: Large core ring, Part Q: Large key teeth, Part R: Medium key teeth, Part S: Small key teeth, Part T: Large spring, Part U: Medium spring, Part V: Small springs, Part W: Screws. Also required, but not included in the kit: a small crosshead screwdriver.

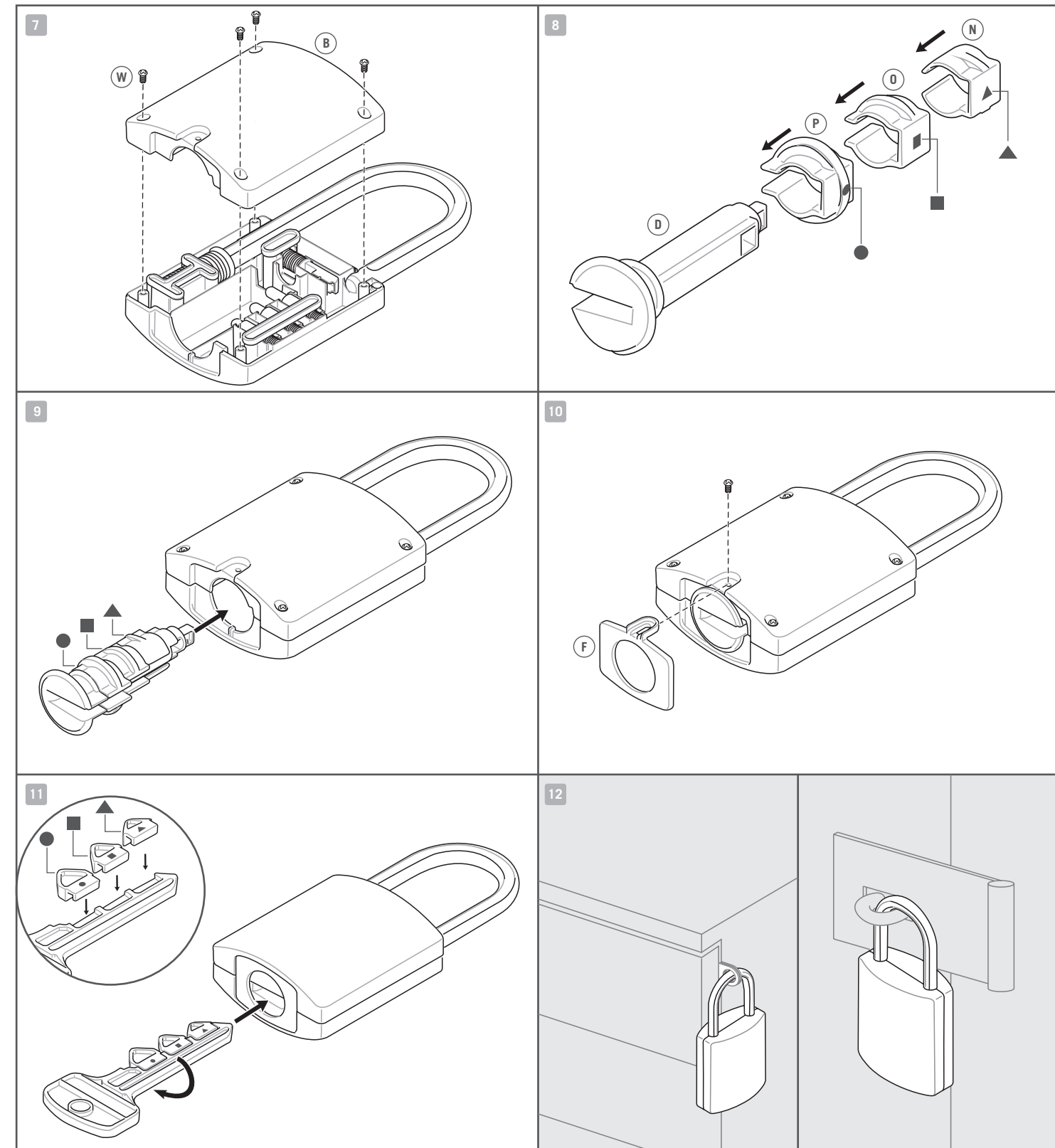
QUESTION AND COMMENTS

We treasure you as a customer and your satisfaction with this product is important to us. In case you have any comments or questions, or you find any parts of this kit missing or defective, please do not hesitate to contact our distributor in your country, whose address is printed on the package. You are also welcome to contact our marketing support team at Email: infodesk@4M-IND.com, Fax (852) 25911566, Tel (852) 28936241, Web site: WWW.4M-IND.COM

C. INSTRUCTIONS



1. Push the medium spring (U) onto the bar lock (I). Then slot the spring and lock into the back cover (A) as shown.
2. Insert short cover (G) to secure the spring and bar lock in place.
3. Push the large spring (T) onto the long end of the shackle (C). Then slot the spring and shackle into the back cover.
4. Insert H shaped cover (M) to secure the spring and shackle in place.
5. Insert the three small springs (V) into the three core pins (J, K and L). Insert the springs and core pins into the front cover as shown. Ensure you put the long core pin (J) in the top slot, the medium core pin (K) in the center slot and the short core pin (L) in the bottom slot.
6. Insert long cover (H) to secure the three springs and core pins in place.



7. Add the front cover (B) and secure it with four screws (W).
8. Slide the three core rings (P, O and N) onto the core (D). Add the large ring first, then the medium ring and finally the small ring. There are shapes embossed on the rings. Follow the order, i.e (●■▲) and ensure you apply the same order when making the key in step 11. You can only unlock the lock when both are identical.
9. Slide the core into the padlock assembly as shown.
10. Add the bottom cover (F) to the padlock assembly and secure it with a screw.
11. Press the key teeth (Q, R and S) into the key body (E). Make sure you arrange the teeth in the order shown in the diagram. i.e (●■▲) The shapes embossed on the key teeth and core rings correlate to each other to unlock the padlock. Press the end of the shackle into the hole in the padlock until it clicks into place. Now the padlock is locked. To unlock the padlock, insert the key into the core and twist it. The shackle will be released. You can change the combination of key teeth and core rings like changing a password on a computer, see step 13.
12. You can use the padlock to lock up your treasured possessions! Show your family and friends this unique padlock.