

# KidzLabs™ Intruder Alarm

**⚠ WARNING:**  
CHOKING HAZARD – Small parts.  
Not for Children under 3 years.

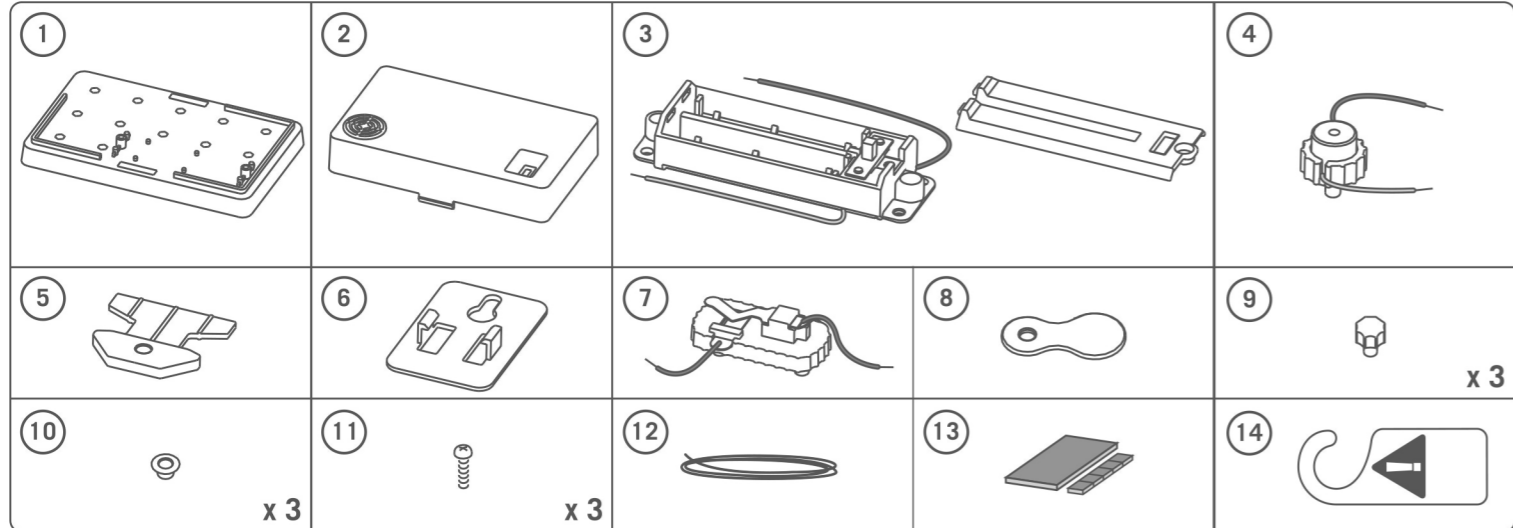
## A. SAFETY MESSAGES

1. Please read through this instruction before you start.
2. This kit is intended for age 8 and up.
3. Adult assistance and supervision required during assembly.
4. This kit contains small parts which may cause choking if misused.
5. Metal connection plate and wires may contain sharp points, adult assistance required in assembling and bending.
6. To prevent possible short circuits, never touch the contacts inside the battery case with any metal.
7. Only operate after fully assembled.

## B. USE OF BATTERIES

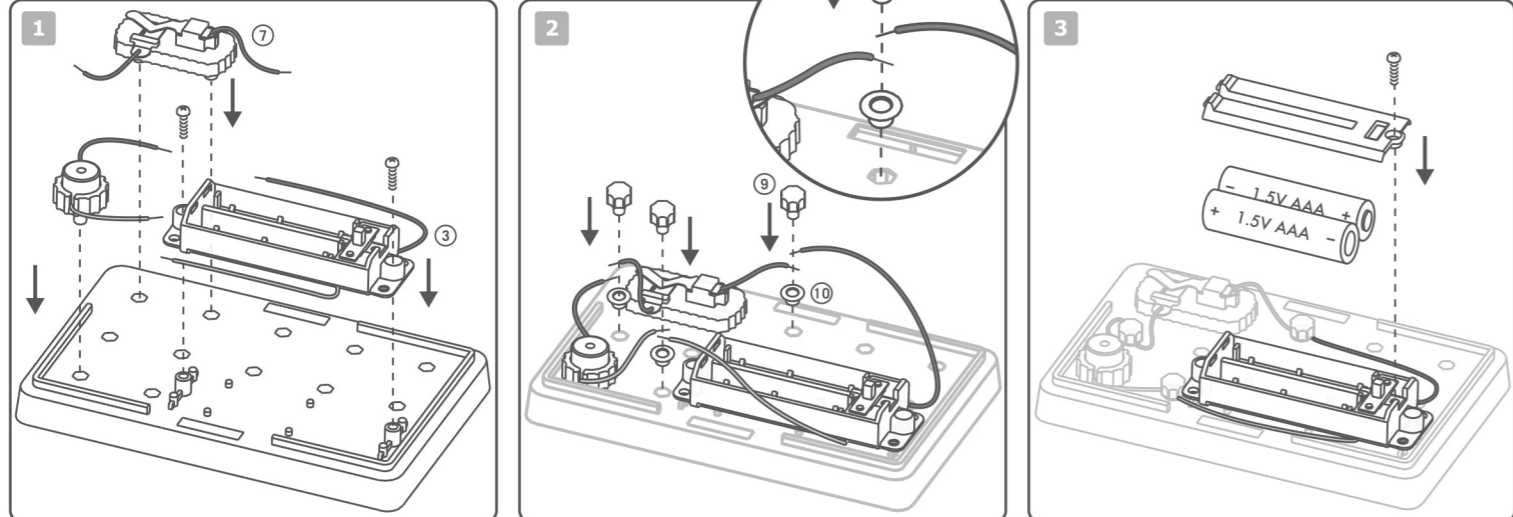
1. Requires two 1.5V AAA batteries (not included).
2. For best results, always use fresh batteries.
3. Make sure you insert the batteries with the correct polarities.
4. Remove the batteries from the kit when not in use.
5. Replace exhausted batteries straight away to avoid possible damage to the kit.
6. Rechargeable batteries must be removed from the kit before recharging.
7. Rechargeable batteries should be recharged under adult supervision.
8. Make sure that the supply terminals in the battery case are not short circuited.
9. Do not attempt to recharge non-rechargeable batteries.
10. Do not mix old and new batteries.
11. Do not mix alkaline, standard (carbon-zinc), or rechargeable (Ni-Cd) batteries.

## C. CONTENTS



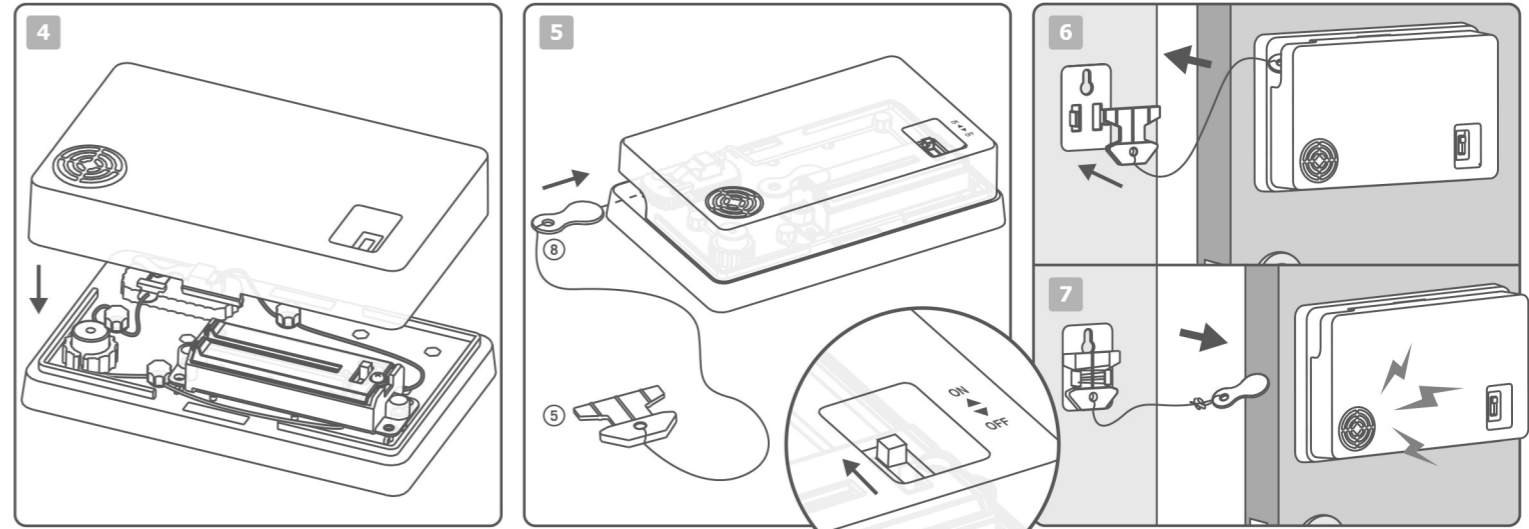
Part 1: Alarm platform, Part 2: Alarm cover, Part 3: Battery holder with cover, Part 4: Buzzer with wires installed, Part 5: Trigger plate holder, Part 6: Wall mount, Part 7: Connection plate (with metal plates installed), Part 8: Trigger plate, Part 9: Plastic peg x 3, Part 10: Metal peg x 3, Part 11: Screw x 3, Part 12: String, Part 13: Double-sided adhesive tapes, Part 14: Door plate. Also required but not provided: 1.5V AAA battery x 2 and crosshead screwdriver.

## D. INSTRUCTIONS



### ASSEMBLING THE ALARM CASE:

1. Secure battery holder (Part 3) on the alarm platform using two screws. Then install the connection plate (Part 7) and the buzzer.
2. Connect the black wires from the buzzer and the connection plate using a metal peg (Part 10) and a plastic peg (Part 9). Similarly, connect the red wires from the battery holder and the buzzer. Also connect the black wires from the connection plate and the battery holder.
3. Install the batteries. Place the battery cover on top and use a screw to fasten it. Check if all connections are correct by switching on the switch button. The buzzer should produce a buzzing sound. After testing, switch it off.



### 4. Install the cover.

### SETTING THE ALARM:

5. Cut a 50 cm length of string. Tie one end of the string to the trigger plate (Part 8). Tie the other end to the trigger plate holder (Part 5). Testing the alarm function: Now insert the trigger plate to the connection plate. This will separate the two metal plates. Now check the function by turning on the switch. There should not be buzz sound as the connection plate are now being separated by the plastic trigger plate. Now pull out the trigger plate with string connected to it. The buzzer will produce a sound immediately as the two connection plates are now in touch and a close circuit is produced. You may now stop the buzz by switching it off or by inserting the trigger plate into the connection plate again.

6. Mount your alarm case to the door surface. Remarks: You will need adult's permission and supervision doing this. You may use the double adhesive tapes provided for this purpose. On the similar level as the alarm case just mounted, use the double adhesive tapes provided to mount the wall mount to the wall surface. Snap the trigger plate holder to the wall mount. Insert the trigger plate to the connection plate of the alarm case.

7. Switch on the alarm. Test the alarm set up by closing the door then opening it again. When the trigger plate is being pulled out from the connection plate, the alarm will be triggered and produces a buzzing sound. If you would like the alarm be triggered with small opening of the door, make the string shorter by winding the unwanted length to the trigger plate holder, and vice versa.

Hang the door plate provided to warn those "UNWANTED INTRUDERS". You may customise your warning text at the blank side as well. The intruder alarm does not only apply to the door, it also applies to your drawer for security. Do you have any suggestion for intruder alarm application?



## E. TROUBLESHOOTING

If the trigger plate is pulled out and the buzzer does not produce a sound:

1. Check if all connection points are intact and are connected in correct order.
2. Check if the batteries are too old, or are installed in the correct polarities.
3. Check if the switch at the battery case is switched on.
4. Check if the metal connection plates are touching each other when the trigger plate is removed. If the plates happen to be detached from each other, the circuit is not complete. You may ask an adult's assistance to bend the upper metal plates downward so that it could touch the lower metal plate again.

REMARKS: When the alarm is not in use, please switch it off and wind whole length of the kick wire to the wall mount. It is further recommended that the batteries should also be removed.

## F. FUN FACTS

How does your intruder alarm work?

After you have finished the installation of the intruder alarm, the connection formed an open circuit. There are two points at the circuit which control the flow of current to the buzzer: the switch built on the battery case and the plastic trigger plate inserted between the connection plates. When alarm is set up and switch is on, the only disconnection point is the trigger plate. The trigger plate is made of plastic which insulate the electric current from flowing through. When the door is opened, the trigger plate will be taken away. Thus, the two metal plates come to contact with each other. The circuit is now a closed circuit. The buzzer is turned on when the current pass through it.

Some things about electricity...

In the intruder alarm, we only use the battery which produces the one-way direct current (d.c). That is the current only flows in one direction ( positive to negative ). However, the electricity supplied from the power station is alternating current (a.c). The current does not only flow in one direction, it flows backwards and forwards around the circuit at a certain frequency (positive to negative and negative to positive).

The wire of most electrical appliance normally consists of three insulated wires: the live, the neutral and the earth wires. The live wire goes positive "+" and negative "-" alternatively, making the current flow backwards and forwards around the circuit. The neutral wire provides the return path for the current to flow back to the mains socket. The earth wire is a safety wire which connects the metal body of the electrical appliance to the earth for grounding the electricity leakage. Also, most electrical appliances have another safety device - fuse. It is a thin wire of short length which will overheat and melt in case the current is higher than the specified value. If a fault develops and a large current flows through the circuit, the fuse melts and breaks the circuit in order to prevent the cable from overheating which may cause a fire.

## QUESTIONS & COMMENTS

We value you as a customer and your satisfaction with this product is important to us. If you have comments or questions, or you find any parts of this kit missing or defective, please do not hesitate to contact our distributor in your country. You will find the address printed on the package. You are also welcome to contact our Marketing Support Team: Email: infodesk@4m-ind.com, Fax (852) 25911566, Tel: (852) 28936241, Web site: WWW.4M-IND.COM

41-03246/1/1 150914