

KidzLabs™ Buzz Wire Making Kit

A. SAFETY MESSAGES

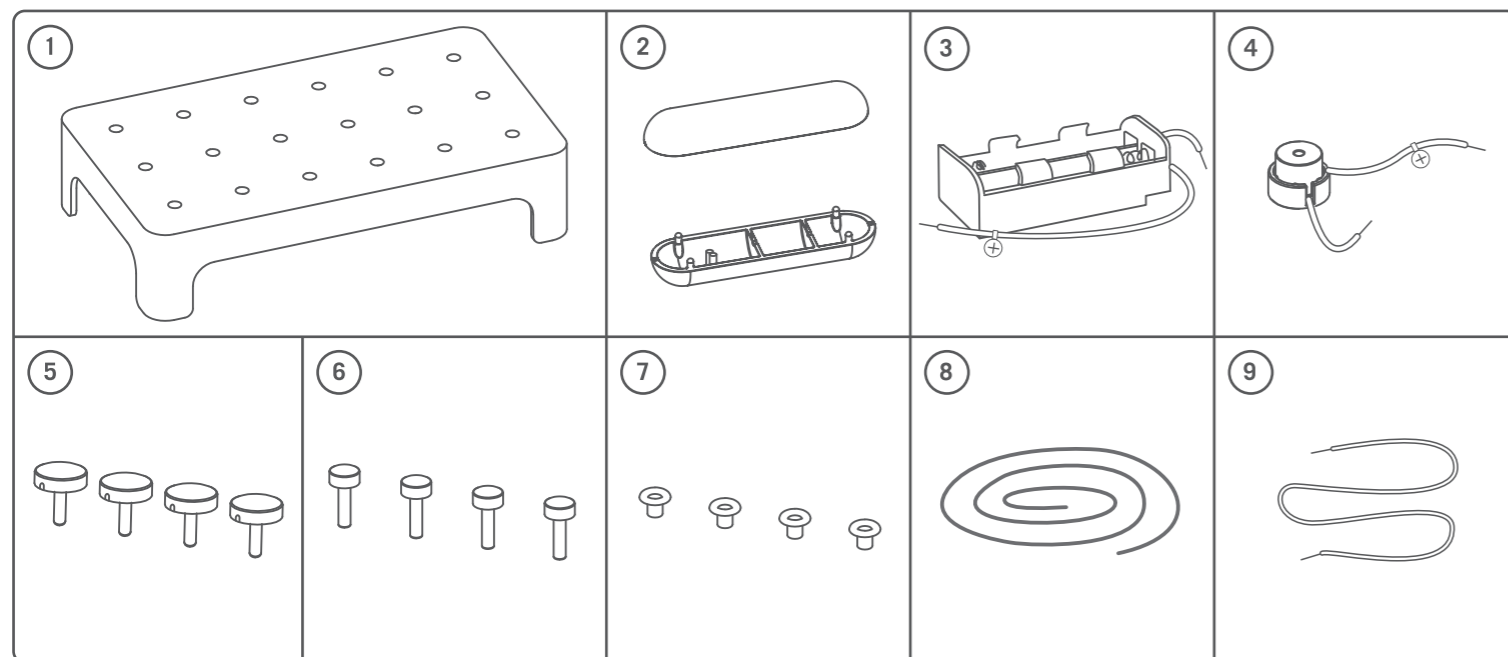
1. Please read through this instruction before you start.
2. This kit is intended for age 8 and up.
3. Adults assistance and supervision required during assembly.
4. This kit contains small parts which may cause choking if misused.
5. Metal wires may contain sharp points, adult assistance required in cutting and bending.
6. To prevent possible short circuits, never touch the contacts inside the battery case with any metal.
7. Only operate after fully assembled.

⚠ WARNING:
CHOKING HAZARD – Small parts.
Not for Children under 3 years.

B. USE OF BATTERIES

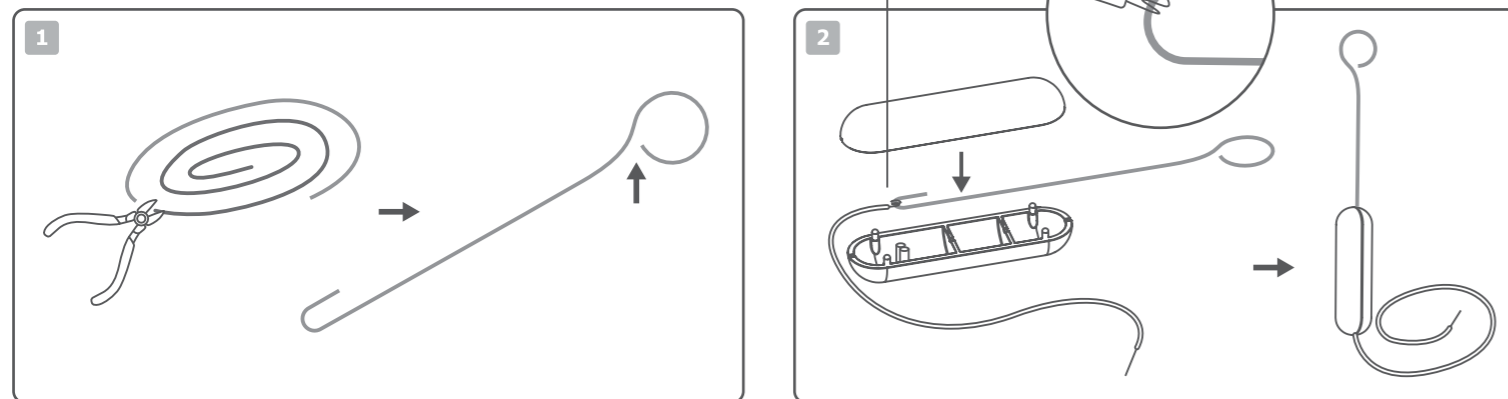
1. Requires two 1.5V AA batteries (not included).
2. For best results always use fresh batteries.
3. Make sure you insert the batteries with the correct polarities.
4. Remove the batteries from the kit when not in use.
5. Replace exhausted batteries straight away to avoid possible damage to the kit.
6. Rechargeable batteries must be removed from the kit before recharging.
7. Rechargeable batteries should be recharged under adult supervision.
8. Make sure that the supply terminals in the battery case are not short circuited.
9. Do not attempt to recharge non-rechargeable batteries.
10. Do not mix old and new batteries.
11. Do not mix alkaline, standard (carbon-zinc), or rechargeable (Ni-Cd) batteries.

C. CONTENTS

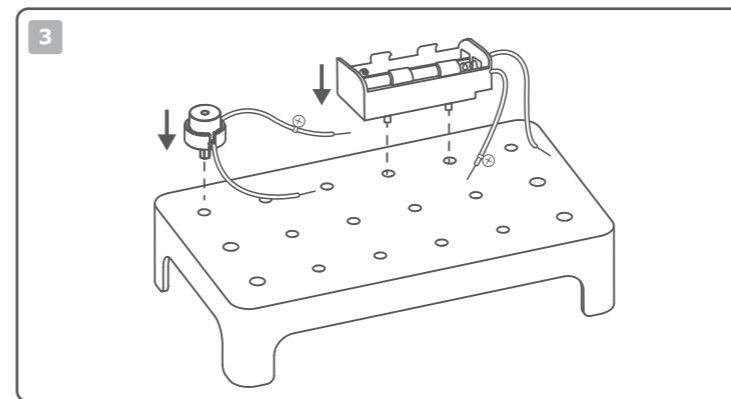


Part 1. Plastic buzz platform, Part 2. Handle, Part 3. Battery case, Part 4. Electric buzzer, Part 5. Big plastic pegs x 4, Part 6. Small plastic pegs x 4, Part 7. Metal pegs x 4, Part 8. Bendable metal wire, Part 9: Insulated wire.
Also required but not provided: 2 x 1.5V AA batteries and a wire cutter.

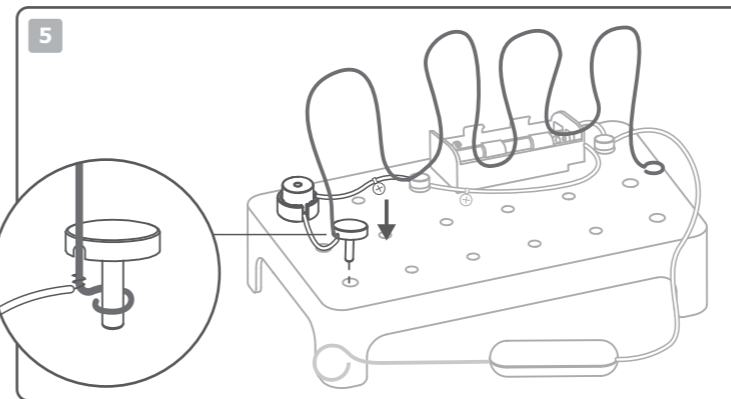
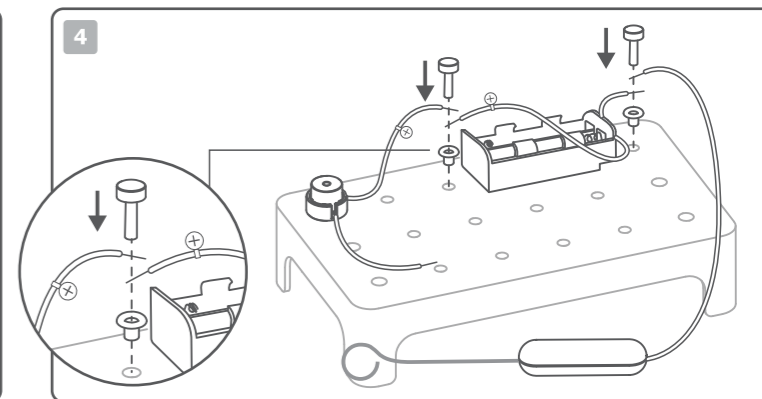
D. ASSEMBLY



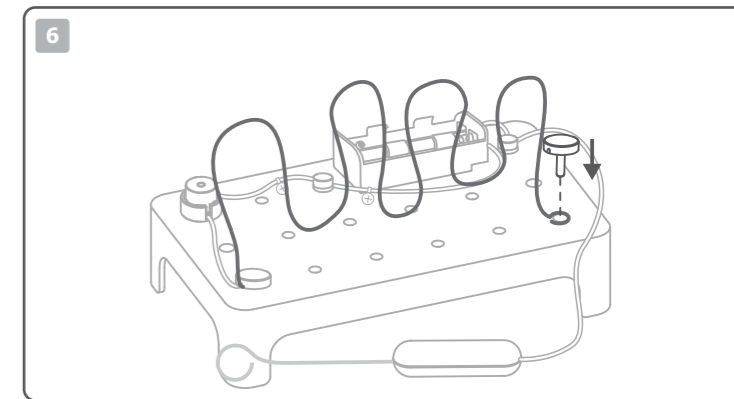
1. Cut approximately 20 cm of the metal wire and bend it into a wand as in diagram. Leave a gap to allow inserting this wand into the shaped wire which will later be done in Step 5.
2. Connect a piece of insulated wire to the smaller end of the wand. Then install the connected wand in the plastic handle as in the diagram.



3. Secure the battery case on the platform. Secure the buzzer on the platform next to the battery case.
4. Press a metal peg in any hole between the battery case and buzzer. Connect the two wires labelled "+" from both the buzzer and battery case. Press a small plastic peg to secure the connection. Similarly, connect the remaining wire from battery case with the wire from the wand.

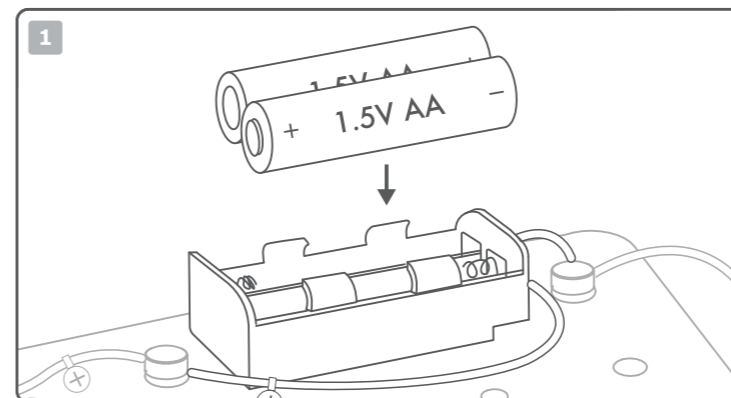


5. Bend the rest of the metal wire into any funny shapes you like. The span of this shaped wire is about 15 cm horizontally. Attach the remaining wire from the buzzer to one end of the shaped metal wire. Wind the end of the metal wire around the pin of a large plastic peg. Secure it on the platform near the buzzer.

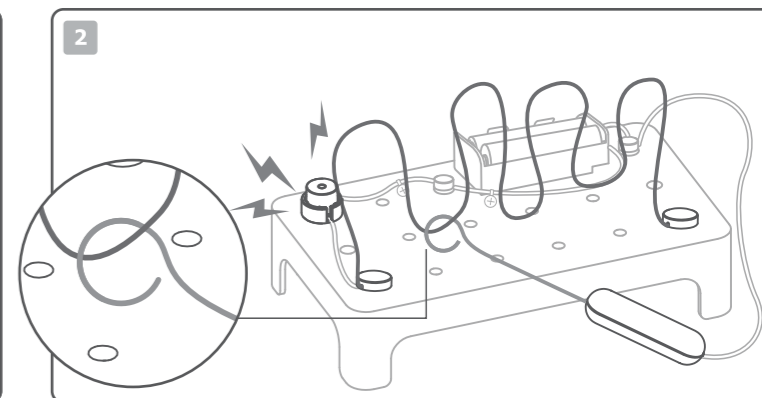


6. Wind the other end of the metal wire around the pin of another large plastic peg. Secure it on the platform.

E. OPERATION



1. Install two 1.5V AA batteries to the battery case, with the flat ends against the springs.
 2. Insert the wand into the shaped wire through the gap. Hold the handle of the wand and try moving it from one end of the shaped wire to the other end without touching the shaped wire. If the wand touches the shaped wire, a complete electric circuit is formed and the buzzer is "turned on" and makes a BUZZ sound.
- Challenge your friends or family, the one who could get through the shaped wire without making a buzz in the shortest time will be the winner. Also try to create different shaped wire with the spare metal wire. Create different levels of challenges. The fun is unlimited.



F. TROUBLESHOOTING

If the buzzer does not work after assembling, please check the below:

- If you are using fresh batteries;
- If the batteries are installed with correct polarities;
- If all connection points are securely connected; and
- If the wires are connected in a correct way (see Step D4).

QUESTIONS & COMMENTS

We value you as a customer and your satisfaction with this product is important to us. If you have comments or questions, or you find any parts of this kit missing or defective, please do not hesitate to contact our distributor in your country. You will find the address printed on the package. You are also welcome to contact our Marketing Support Team: Email: infodesk@4m-ind.com, Fax (852) 25911566, Tel: (852) 28936241, Web site: WWW.4M-IND.COM