

F. HOW IT WORKS

The battery is connected to the motor through the terminals on the arm. Because the terminals are not touching each other, the circuit is broken so no electricity flows. When you put a coin on the terminals the circuit is completed by the metal of the coin. The motor switches on, operating the mechanism that lifts the arm. As soon as the coin slides off the terminals the circuit is broken again and the motor stops.

G. TROUBLESHOOTING

If the motor does not run:

- check that you have a fresh battery and that the battery is inserted into the battery holder the correct way round
- check that you have made the correct connections at the terminal blocks (see section D, steps 4, 5 and 9)
- check that the bare metal of all the wires is in contact with the metal terminals
- check if the coin is touching both metal eyelets, slightly press the coin to check if the motor is turning.

H. FUN FACTS

- Your Money Bank Robot is a type of moneybox called a mechanical bank.
- Mechanical banks were very popular in Victorian times. They were fun moneyboxes that encouraged children to save their money.
- The Money Box Museum in Amsterdam in the Netherlands has a collection of more than 12,000 moneyboxes.
- It's rare to find a very old money box because they had no holes in bottom and so had to be smashed to get the money out.
- Moneyboxes were originally called 'piggy banks' because hundreds of years ago jars used for storing money were made from type of orange-coloured clay called pygg.
- Many piggy banks are now shaped like pigs.
- Coins are made from metals. Normally the metals are mixed together to make materials called alloys that are more hardwearing than the individual metals on their own.
- All metals are good conductors of electricity. That means that electricity flows through them easily.

MONEY BANK ROBOT



WARNING:
CHOKING HAZARD - Small parts.
Not for Children under 3 years.

TO PARENTS: PLEASE READ THROUGH THESE INSTRUCTIONS BEFORE PROVIDING GUIDANCE TO YOUR CHILDREN.

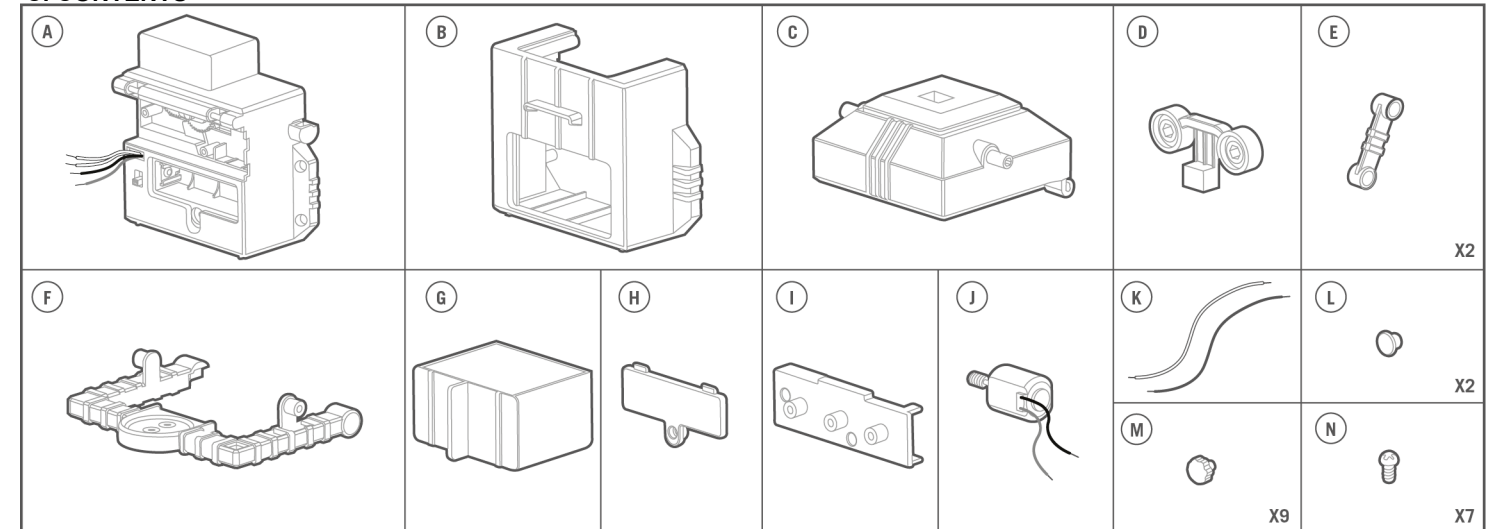
A. SAFETY MESSAGES

1. Adult assistance and supervision are required at all times.
2. This kit is intended for children over 8 years of age.
3. This kit and its finished product contain small parts which may cause choking if misused. Keep away from children under 3 years old.
4. To prevent possible short circuits, never touch the contacts inside the battery case with any metal objects.
5. Only install the battery after you have assembled the product. Adult supervision is required.

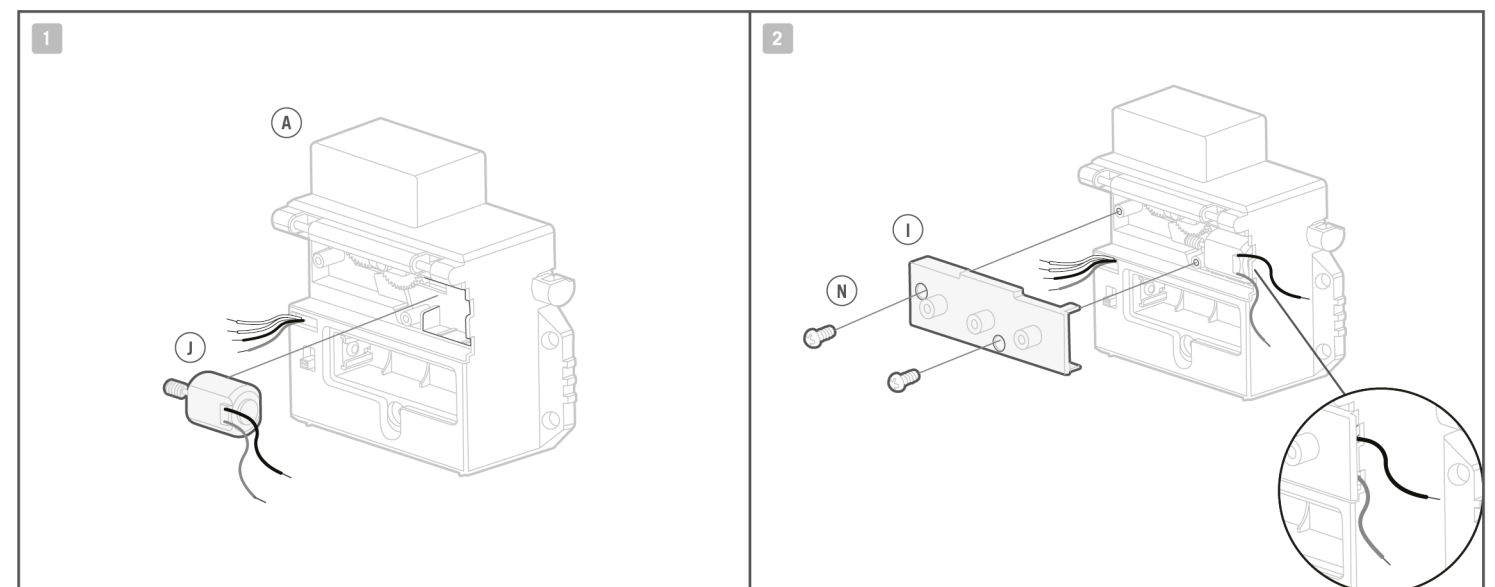
B. USE OF BATTERY

1. Requires one 1.5 V AA battery (not included).
2. For best results, always use a fresh battery.
3. Make sure you insert the battery in the correct polarity.
4. Remove the battery from the kit when not in use.
5. Replace an exhausted battery straight away to avoid possible damage to the kit.
6. Rechargeable battery must be removed from the kit before recharging.
7. Rechargeable battery must be recharged under adult supervision.
8. Make sure that the supply terminals in the battery case are not short circuited.
9. Do not attempt to recharge non-rechargeable battery.

C. CONTENTS

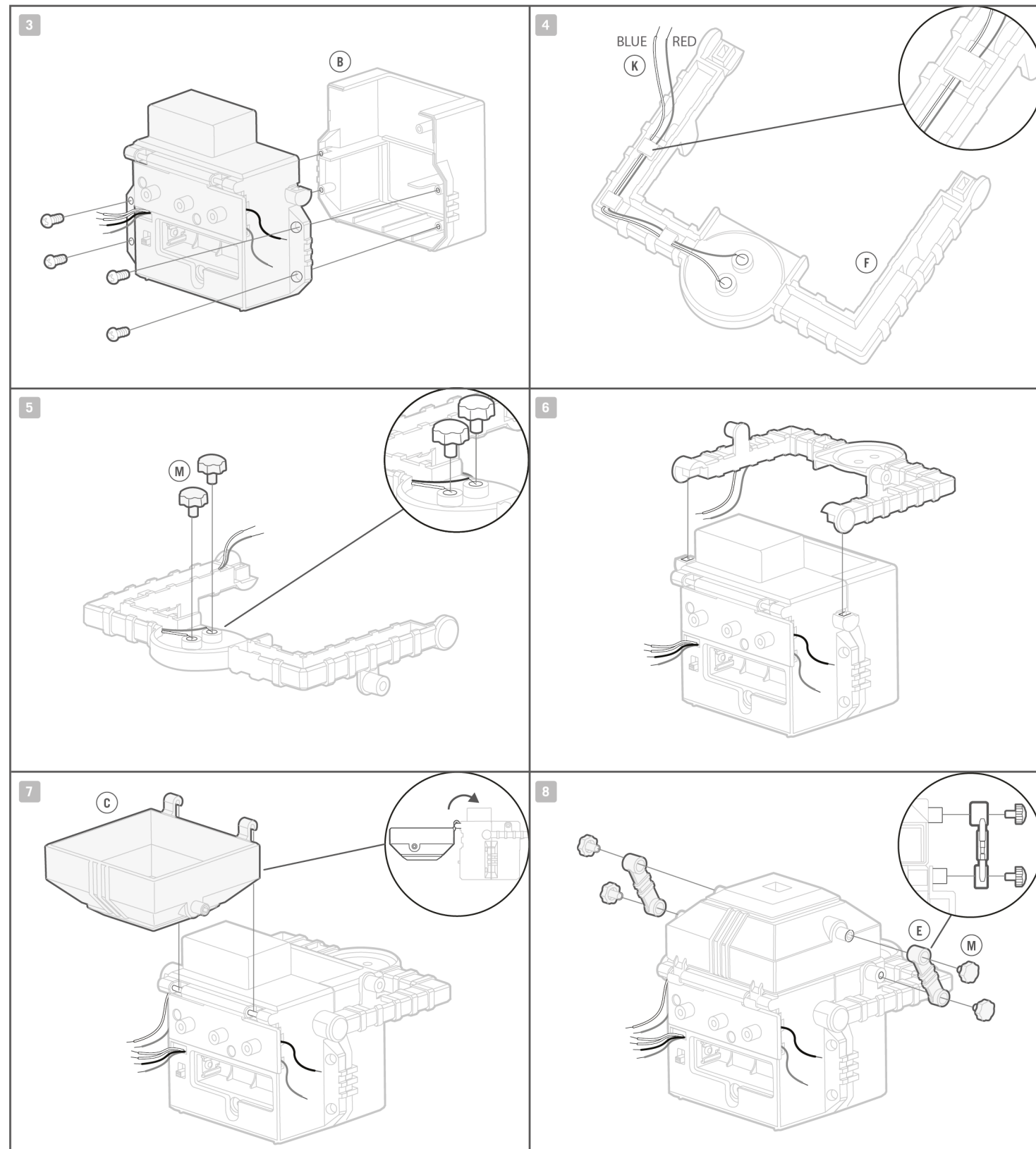


D. ASSEMBLY

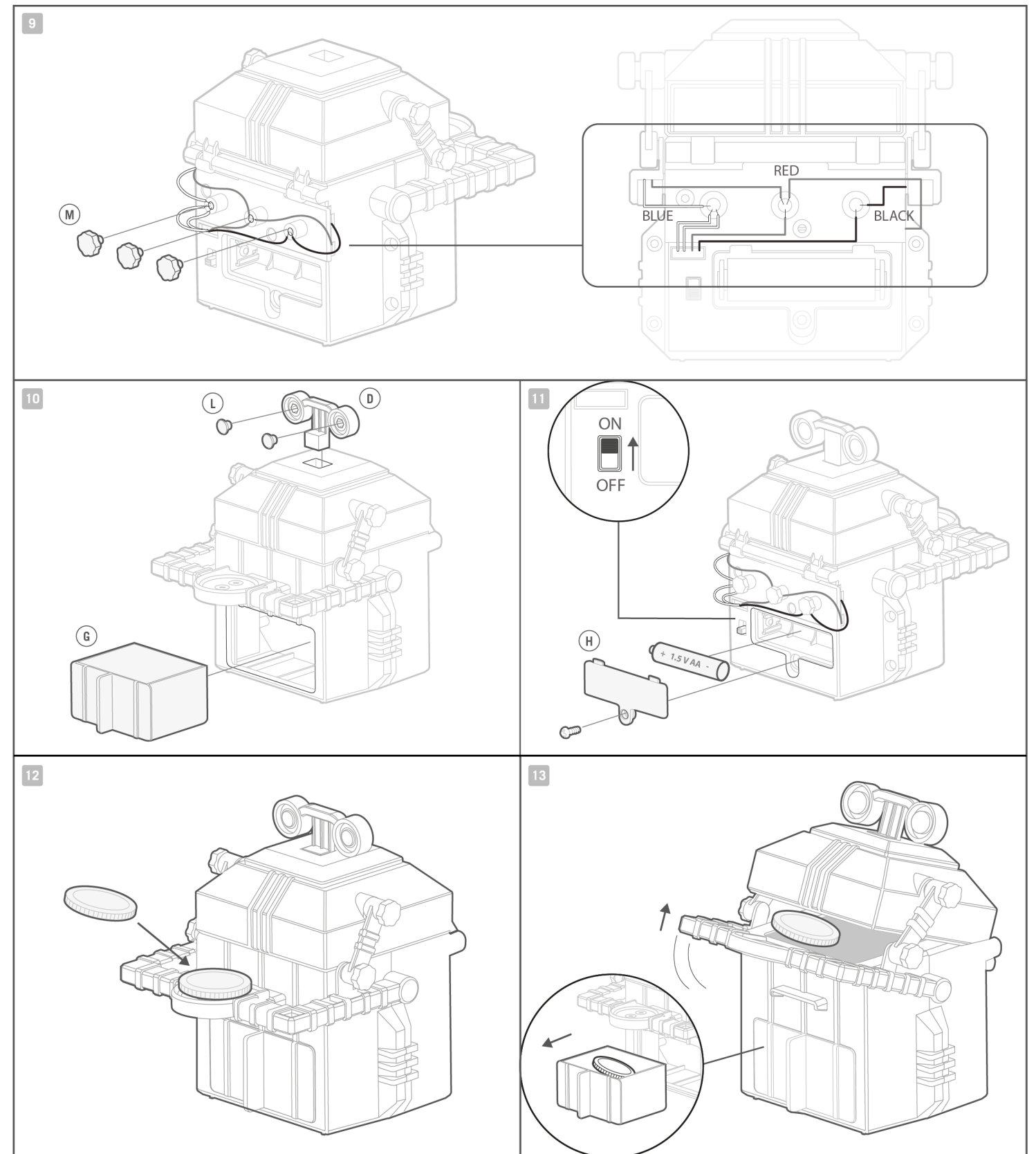


QUESTIONS & COMMENTS

We treasure you as a customer and your satisfaction with this product is important to us. In case you have any comments or questions, or you find any parts of this kit missing or defective, please do not hesitate to contact our distributor in your country, whose address is printed on the package. You are also welcome to contact our marketing support team at Email: infodesk@4M-IND.com, Fax (852) 25911566, Tel (852) 28936241, Web site: WWW.4M-IND.COM



3. Push the rear body onto the front body (part B) and secure the two parts together with four screws.
4. Insert the blue and red wires (parts K) into the underside of the coin arm (part F) as shown.
5. Push two terminal caps (parts M) into the terminals on the arm to keep the wires in place. The bare ends of the wires must be in contact with the metal terminals.
6. Clip the coin arm onto the body. The wires must be on the underside of the arm.
7. Clip the lid (part C) onto the body.
8. The two links (part E) have a wide end and a narrow end. Fit the wide end of each link to one of the pins on the lid and the narrow end to one of the pins on the coin arm. Push terminal caps into the holes on the links.



9. Push matching colour wires into the terminals on the motor compartment as shown. Push terminal caps into the terminals to keep the wires in place. The bare ends of the wires must be in contact with the metal terminals. Check your robot against the diagram to make sure you have put the correct wires in the correct holes.
10. Push the eye holder (part D) into the lid and insert the two eyes (part L) into it. Also push the coin drawer (part G) into place.
11. Insert a 1.5-volt AA battery into the battery compartment making sure it is the correct way round. Secure the battery compartment cover (part H) with a screw. Flick the switch to the ON position.
12. Your Money Bank Robot is ready! Place a coin on the tray on the coin arm.
13. The robot gobbles up the coin automatically! Open the drawer to get your coin back.

E. OPERATION

12. Your Money Bank Robot is ready! Place a coin on the tray on the coin arm.
13. The robot gobbles up the coin automatically! Open the drawer to get your coin back.